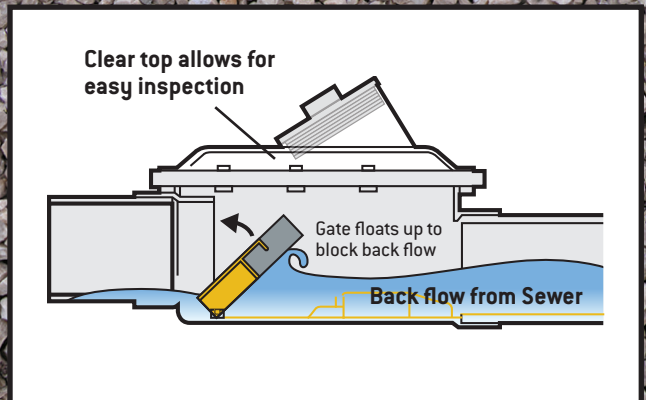
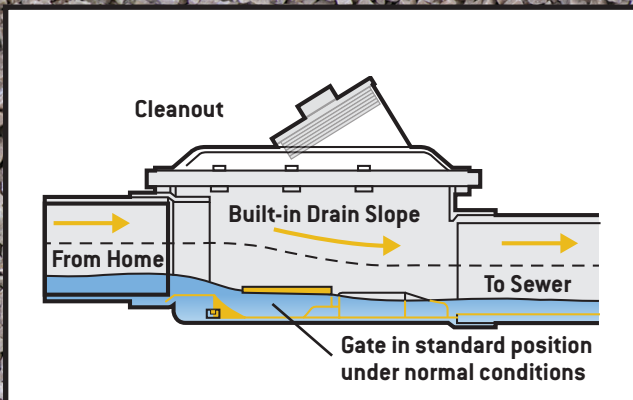


**AB&A™**

IPS CORPORATION

# Full Port Backwater Valve

The only backwater valve with a clear cover that allows for easy inspection.



**MAINLINE**  
BACKFLOW PRODUCTS

A Plumbing Solution from

**AB&A™**

IPS CORPORATION

# Fullport Backwater Valve

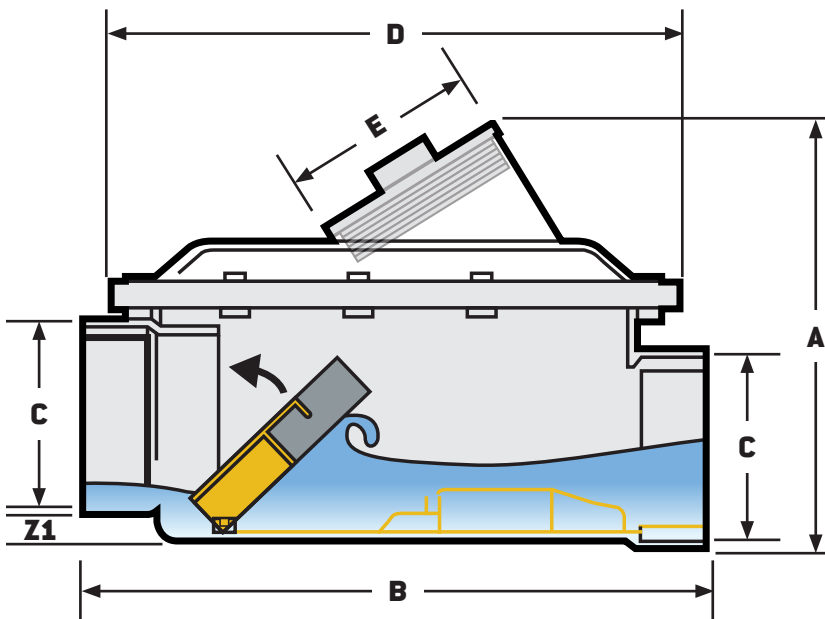
## BACKWATER VALVE

The Fullport Backwater Valve has a patented 'normally open' design to allow for free circulation. The clear lid provides ease for visible inspections. The valve has a built-in main sewer cleanout for rodding and maintenance.

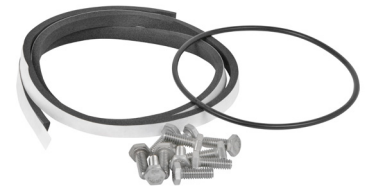


## ACCESS BOX

The access box is a very useful accessory to the 4963 valve. Its dimensions of L: 20" W: 12 1/2" H: 16" provide access to the valve with ease.

**4" Mainline Gate****Fullport Backwater Valve Dimensions**

A	11 1/2"
B	15 1/4"
C	4"
D	13 1/2"
E	5"
Z1	3/4"

**Clear Lid & Cleanout****Refurbish Kit Bolts / Gasket / O-ring**

### 4" Fullport Backwater Valve

4" ABS Mainline Fullport Backwater Valve •	ABAML4963A	66000
4" PVC Mainline Fullport Backwater Valve •	ABAML4963P	66001
4" Mainline Gate	ABAPA4963G	66100
Clear Lid & Cleanout	ABAPA4963LCO	66101
Refurbish Kit Bolts / Gasket / O-ring	ABAPA4963RK	66102

### 4" ML-FR4 Backwater Valve

4" Mainline Automatic Backwater Valve	ABAMLFR4	66002
ML-FR4 Full Kit	ABAPA4FRFULL	66103
ML-FR4 External Kit	ABAPA4FREXT	66104
ML-FR4 Internal Kit	ABAPA4FRINT	66105

### Access Box

20 x 13 Plastic Access Box	ABAPE2013	66003
Access Box lid	ABAPAPE2013LID	66106

**IPS**  
CORPORATION

500 Distribution Parkway, Collierville, TN 38017 • Phone: 800-888-8312 • Fax: 901-853-5008 • www.ipscorp.com

Copyright © 2019 by IPS Corporation

Mainline Full Port Flyer\_ABAML4963A